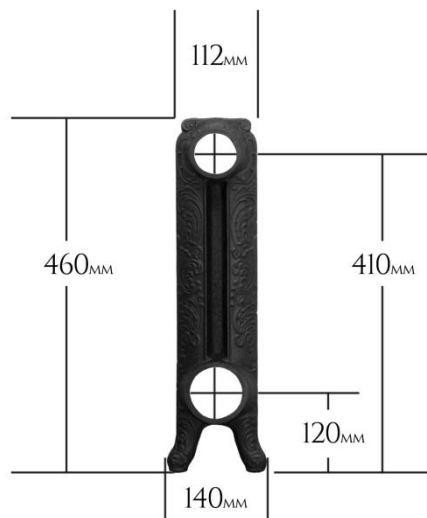




Beaumont
cast iron

THE ROCOCO CLASSIQUE

SIZE CHART



Sections Added	Total Length MM	RR2460	
		BTUs @ ΔT60	WATTS @ ΔT60
1		433	127
2		867	254
3	265	1300	381
4	343	1733	508
5	420	2167	635
6	495	2600	762
7	572	3033	889
8	649	3466	1016
9	731	3896	1142
10	810	4330	1269
11	887	4763	1396
12	964	5196	1523
13	1041	5630	1650
14	1120	6063	1777
15	1197	6496	1904



Beaumont cast iron



RR2810

Sections Added	Total Length MM	BTUs @ $\Delta T60$	WATTS @ $\Delta T60$
1		720	211
2		1440	422
3	260mm	2160	633
4	330mm	2880	844
5	400mm	3600	1055
6	470mm	4320	1266
7	540mm	5040	1477
8	610mm	5760	1688
9	680mm	6480	1899
10	750mm	7200	2110
11	830mm	7920	2312
12	900mm	8640	2532
13	970mm	9360	2743
14	1040mm	10080	2954
15	1110mm	10800	3165



OVERVIEW

The ROCOCO CLASSIQUE is a Beaumont exclusive design based on an 1890's French design. This cast iron radiator gives a touch of period elegance and an amazing feature in any room within your property. The narrow scrolled profile is ideal in hallways where widths can be tight. They offer exception output and the scroll work is crisp and detailed.

Burnishing is the optimum finish for the ROCOCO CLASSIQUE to accentuate the detailed scrollwork. Burnishing paste in silver, gold or copper is carefully applied by hand over a darker base coat. This is the same traditional method used by craftsmen throughout the ages.

The ROCOCO CLASSIQUE can be finished in a variety of colours – metallic, Farrow & Ball range, RAL colours or primed for onsite painting.

Because each radiator section is specially hand cast there may often be a slight variation in the length of each radiator once built (end bush to end bush), please allow for this in your pipework fittings.

RR2460

DEPTH OF SECTION FROM SKIRTING BOARD = 140MM

SECTION WIDTH = 77MM

WEIGHT = 5KG

RR2810

DEPTH OF SECTION FROM SKIRTING BOARD = 136MM

SECTION WIDTH = 72MM

WEIGHT = 9.5KG