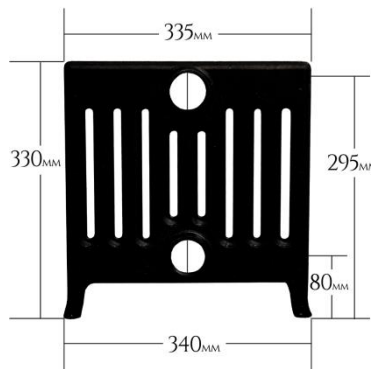




Beaumont
cast iron

THE VICTORIAN 9

SIZE CHART



RA 9330

SECTIONS	LENGTH	BTUs @ ΔT60	WATTS @ ΔT60
1		444	130
2		888	260
3		1332	390
4	256mm	1776	520
5	315mm	2220	650
6	371mm	2664	780
7	427mm	3108	910
8	483mm	3552	1040
9	539mm	3996	1170
10	595mm	4440	1300
11	651mm	4884	1430
12	707mm	5328	1560
13	763mm	5772	1690
14	819mm	6216	1820
15	875mm	6660	1950



OVERVIEW

The VICTORIAN 9 cast iron radiator is ideally designed to sit under a low windowsill or as a secondary heat source to underfloor heating.

All Beaumont cast iron radiators are carefully hand made to your own required BTUs and fully assembled ready for plumbing into your new or existing pipework.

The VICTORIAN 9 can be finished in a variety of colours – metallic, Farrow & Ball range, RAL colours or primed for onsite painting.

Because each radiator section is specially hand cast there may be a slight variation in the length of each radiator once built (end bush to end bush), please allow for this in your pipework fittings.

DEPTH OF SECTION FROM SKIRTING BOARD = 335MM

SECTION WIDTH = 56MM

WEIGHT = 8KG DRY